

# GLOBE VALVE

Size DN50-DN300 PN16/ PN25/Class125/Class250

**Fig. 6123**

## Specification

- Valves comply with EN13789, MSS SP-85.
- Metal seat.
- Adjustable stem seal.
- Packing replaceable under pressure.
- Available with flanges to EN1092-2 PN10 or PN16, ANSI B16.1 Class125 (Other types available on request).
- Face to face length in accordance with EN558-1 basic series 10 and ASME B16.10-2000.

## Working Pressure

- 16bar for EN13789 valves
- 200psi for MSS SP-85 valves

## Working Temperature

- -10°C to 120 °C

## Corrosion Protection

- Internally and externally liquid epoxy painted.

## Notes:

- Body, bonnet & disc in ductile iron for PN25 / Class 250 valves.
- Design and material are subject to change without notice.

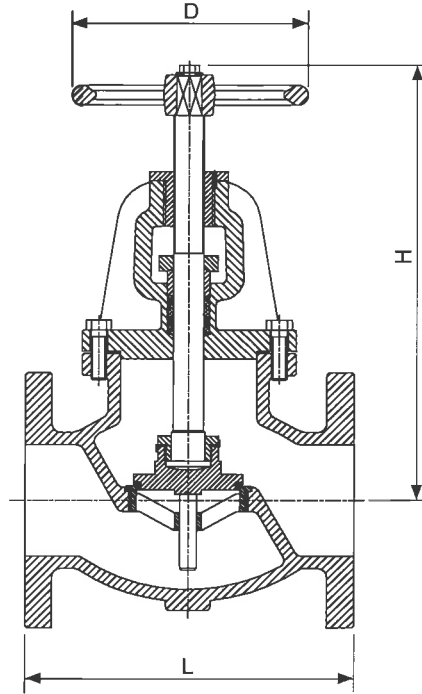


**WEFLO**

## Material Specification and Dimensions

### Material Specification

| Part Name    | Materials       | EN Spec.      | ASTM Spec.        |
|--------------|-----------------|---------------|-------------------|
| Body*        | Cast Iron       | EN-JL1040     | ASTM A126 Class B |
| Bonnet*      | Cast Iron       | EN-JL1040     | ASTM A126 Class B |
| Body Trim    | Bronze          | EN1982 CC491K | ASTM B62 C83600   |
| Disc Trim    | Bronze          | EN1982 CC491K | ASTM B62 C83600   |
| Disc*        | Cast Iron       | EN-JL1040     | ASTM A126 Class B |
| Stem         | Stainless Steel | BS970 420S37  | AISI 420          |
| Packing      | Graphite        | Non-asbestos  | Non-asbestos      |
| Gasket       | Graphite        | Non-asbestos  | Non-asbestos      |
| Yoke Bushing | Brass           | CuZn39Pb3     | ASTM B16 C36000   |
| Handwheel    | Cast Iron       | EN-JL1040     | ASTM A126 Class B |



### Dimensions (mm)

| Size        | DN50 | DN65 | DN80 | DN100 | DN125 | DN150 | DN200 | DN250 | DN300 |
|-------------|------|------|------|-------|-------|-------|-------|-------|-------|
| L           | 203  | 216  | 241  | 292   | 330   | 356   | 495   | 622   | 698   |
| H (Open)    | 295  | 336  | 345  | 389   | 425   | 511   | 580   | 720   | 859   |
| D           | 190  | 190  | 190  | 305   | 305   | 305   | 305   | 400   | 457   |
| Weight (kg) | 17   | 21   | 29   | 45    | 60    | 90    | 150   | 226   | 344   |

WEFLO VALVE COMPANY LTD.

145-157 ST JOHN STREET, LONDON, EC1V 4PY UNITED KINGDOM

Tel: +44(0) 207 256 7777 E-mail: info@weflovalve.com Web: www.weflovalve.com