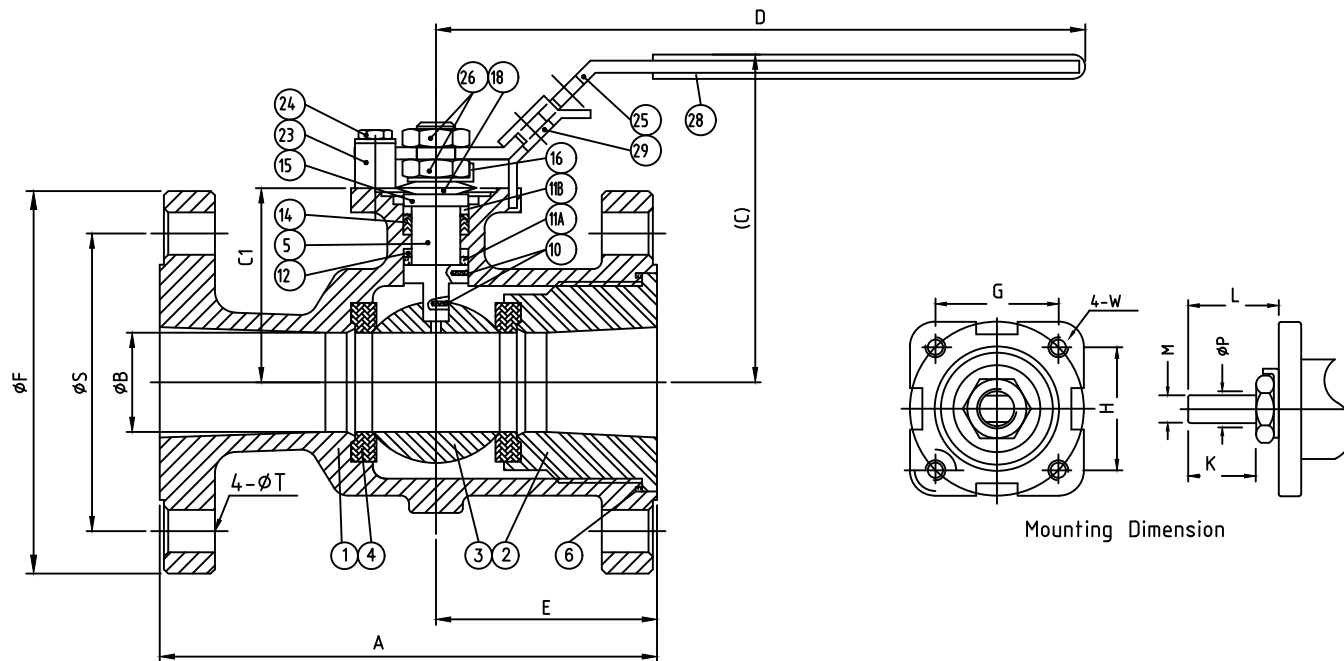


DO NOT SCALE. IF IN DOUBT ASK

SIZE	A	B	C	D	E	C1	F	G	H	K	L	M	P	S	T	W	Weight [kgs]
1"	127	20.0	74.0	165.0	50.8	42.4	108	29.7	29.7	7.90	14.0	6.40	9.70	79.2	16.0	10-24UNC	2.7
1.1/2"	165	32.0	92.0	200.0	55.1	56.0	127	35.3	35.3	11.00	19.1	8.00	11.10	98.6	16.0	1/4-20UNC	5.0
2"	178	38.1	107.0	265.0	65.0	66.3	152	49.5	49.5	14.00	23.0	9.50	15.70	120.7	19.1	5/16-18UNC	8.2



BILL OF MATERIALS			RF15-316	RF15-WCB
No.	Part Name	Qty	STAINLESS STEEL	CARBON STEEL
1	BODY	1	ASTM A351 CF8M	ASTM A216 WCB
2	END CAP	1	ASTM A351 CF8M	ASTM A216 WCB
3	BALL	1	ASTM A351 CF8M	ASTM A351 CF8M
4	SEAT	2	TFM 1600	
5	STEM	1	ASTM A479 Gr. 316	
6	BODY SEAL	1	GRAPHITE	
10	ANTI-STATIC DEVICE	2	SS304	
11A	PACKING PROTECTOR	1	TEK-FIL	
11B	THRUST WASHER PROTECTOR	1	TEK-FIL	
12	THRUST WASHER	1	TEK-FIL	
14	STEM PACKING	x1	GRAPHITE	
15	PACKING GLAND	1	SS304	CARBON STEEL
18	BELLEVILLE WASHER	2	SS301	
19	TAB LOCK WASHER	1	SS304	
23	TRAVEL STOP SET SLEEVE	1	SS304	
24	TRAVEL STOP BOLT	1	SS304	
25	HANDLE	1	SS304	
26	LOCK NUT	2	SS304	
28	HANDLE SLEEVE	1	VINYL	
29	LOCKING DEVICE	1	SS304	

x - 1 SET

FIRE SAFE TO API607 WITH GRAPHITE STEM PACKING



DISTRIBUTION																							
MAN	QA	INS	MAT	PUR	SALES	BUS	BCN	BMX	BEU	BPA	BCH												
06																							
05																							
04																							
03																							
02																							
01																							
RFP No.	03-01-12	FIRST ISSUE	DATE	03-01-12	APP BY	AJP	DATE	03-01-12	THIRD ANGLE														
<table border="0"> <tr> <td>DRN BY</td> <td>AJP</td> <td>TOLERANCES</td> <td rowspan="3"> (EXCEPT AS NOTED) -IMPERIAL- XXX±.005 XX±.010 -METRIC- XX±.10 X±.25 -ANGULAR- ±1/2° BREAK ALL SHARP EDGES </td> </tr> <tr> <td>DATE</td> <td>03-01-12</td> <td>CHK BY</td> <td>DL</td> </tr> <tr> <td>DATE</td> <td>03-01-12</td> <td>APP BY</td> <td>AJP</td> </tr> </table>												DRN BY	AJP	TOLERANCES	(EXCEPT AS NOTED) -IMPERIAL- XXX±.005 XX±.010 -METRIC- XX±.10 X±.25 -ANGULAR- ±1/2° BREAK ALL SHARP EDGES	DATE	03-01-12	CHK BY	DL	DATE	03-01-12	APP BY	AJP
DRN BY	AJP	TOLERANCES	(EXCEPT AS NOTED) -IMPERIAL- XXX±.005 XX±.010 -METRIC- XX±.10 X±.25 -ANGULAR- ±1/2° BREAK ALL SHARP EDGES																				
DATE	03-01-12	CHK BY		DL																			
DATE	03-01-12	APP BY		AJP																			
FlowTek The High Performance Company A Subsidiary of BRAY INTERNATIONAL, Inc.					BRAY CONTROLS (UK) LTD A Subsidiary of BRAY INTERNATIONAL, Inc.																		
GENERAL ARRANGEMENT 1" - 2" FLOWTEK RF15 BALL VALVE [ANSI 150]																							
MATERIAL: -																							
SCALE			PART No.			DRAWING No.			REV														
-			-			UK-110225			-														

Bray